



Definite Purpose Contactors

- Air conditioning
- Resistive heating
- Refrigeration equipment
- Motors
- Welding
- Pumps
- Power supplies
- Food service equipment
- Compressors
- Business machines

Approval by • UL 508 • CSA C22.2

Features

- Available as: 20 A, 25 A, 30A, 32A, 35A & 40A - 1, 2 and 3 pole
- Industry standard mounting plate provides easily accessible mounting holes
- More connection terminal options, including screw or lug connections each with quick connect spades
- Double E magnet assembly provides optimal performance with reduced power consumption in pole
- 1NO+1NC auxiliary contact block with 600 Vac rating available as an option in 3 pole
- Base assembly is made from high arc-resistant polyester



DP contactor Ratings & Packaging

Full load amps	Number of Poles	Resistive amps @ 600 Vac	Locked rotor amps			HP rating (1ph)		HP rating (3ph)			Standard pack Qty per carton
			240 / 277V	480V	600V	120V	240V	240	480	600	
20A	1	30	120			1	2	-	-	-	64
20A	2	30	120	100	80	2	3	-	-	-	64
20A	3	30	120	100	80	1.5	3	7.5	10	15	54
25A	1	35	150			1	2	-	-	-	64
25A	2	35	150	125	100	2	3	-	-	-	64
25A	3	35	150	125	100	2	5	10	15	20	54
30A	1	40	160			1	2	-	-	-	64
30A	2	40	160	140	100	2	3	-	-	-	64
30A	3	40	160	140	100	2	5	10	15	20	54
32A	1	40	180			1	2	-	-	-	64
32A	2	40	180	150	120	2	3	-	-	-	64
32A	3	40	180	150	120	2	5	10	15	20	54
35A	1	45	200			2	3	-	-	-	64
35A	2	45	200	160	125	2	3	-	-	-	64
35A	3	45	200	160	125	3	7.5	10	20	25	54
40A	1	50	240			2	3	-	-	-	64
40A	2	50	240	200	160	2	3	-	-	-	64
40A	3	50	240	200	160	3	7.5	10	20	25	54



Definite Purpose Contactors

DW	20	1	A	-	1	1	0	G
DW	Amps	Poles	Coil Voltage	-	Terminals			Coil Guard
					Line	Load	Auxiliary	
DW	20	1P/S=1	A=24V/60hZ		1	1	0=none	G
	25	2P=2	B=48V/60hZ		2	2	A=1 NO	
	30	3P=3	C=120V/60hZ		3	3	B=1 NC	
	32	4P=4	D=240V-208V/60hZ				C=1 NO & 1 NC	
	35		E=277V/60hZ					
	40		F=480V/60hZ					
			G=600V/60hZ					

1: Box Lug with quick connect
 2: Hex Screw w/o pressure plate
 3: Hex Screw with pressure plate and with quick connect

DP Contactor Specification

Coil Technical data		DP 1Pole + Shunt & 2Pole			DP 3pole		
Nominal Coil voltage (Vac)		24	120	208 / 240	24	120	208 / 240
Pickup voltage range (Vac)		20.4 - 26.4	102 - 132	204 - 264	20.4 - 26.4	102 - 132	204 - 264
Drop out voltage range (Vac)		4.8 - 15.6	24 - 78	48 - 156	4.8 - 15.6	24 - 78	48 - 156
Nominal inrush VA (50/60Hz)		55	55	55	55	55	55
Nominal sealed VA (50/60Hz)		13	13	13	13	13	13

Other		DP 1Pole + Shunt & 2Pole		DP 3pole	
Line and Load terminals		#10-32 screw / box lug		#10-32 screw / box lug	
Wire size	Screw	16 - 8*AWG		16 - 8*AWG	
	Box lug	14 - 4 AWG		14 - 4 AWG	
Tightening torque (recommended) lb.in	Screw	22 in.lbs		22 in.lbs	
	Box lug	40 in.lbs		40 in.lbs	
Quick connects	Power terminals	Quad 0.250"QC		Dual 0.250"QC	
	Coil terminals	Dual 0.250"QC		Dual 0.250"QC or #6-32 Screw/0.250" QC	
Standard Fault Short Circuit		Upto 600V at 5kA with Fuse and circuit breaker			
High Fault Short Circuit		Upto 480V at 100kA with circuit breaker Upto 600V at 100kA with Fuse			

Note: *Must use ring terminal



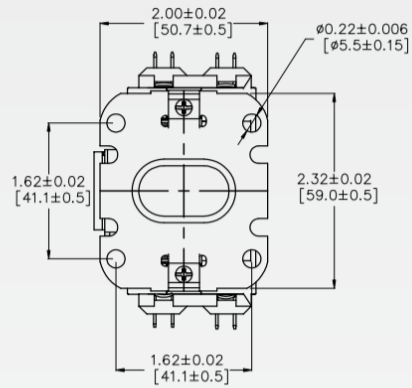
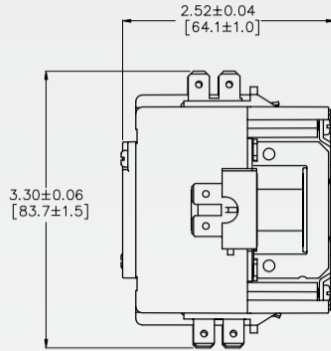
Westinghouse

Westinghouse Control, LLC

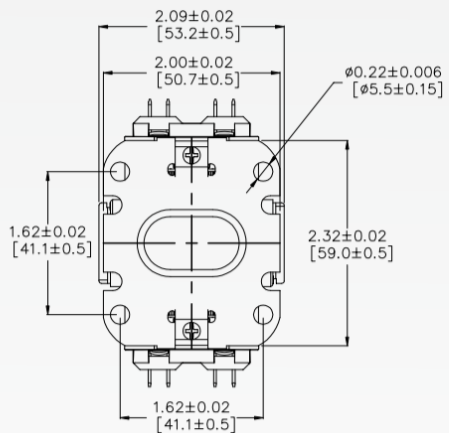
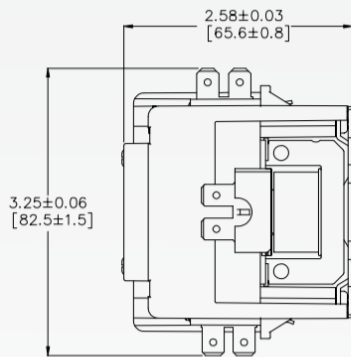
Definite Purpose Contactors

20 - 40A - 1Pole + Shunt

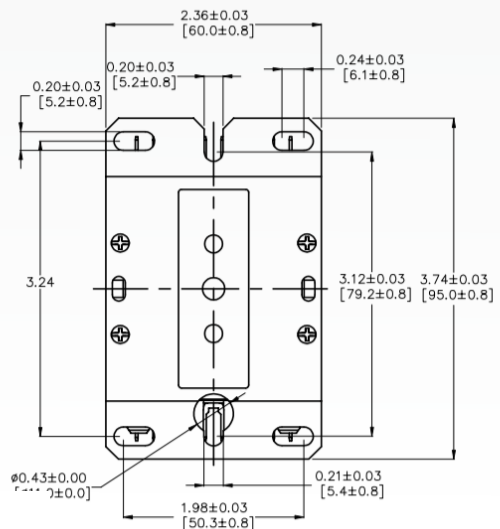
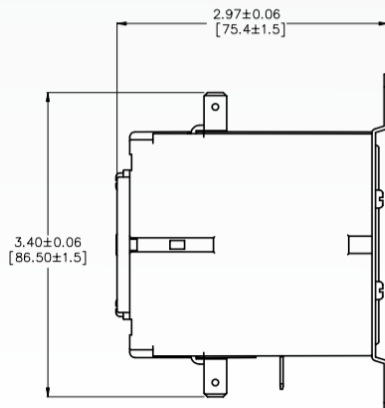
Dimension Details



20 - 40A- 2Pole



20 - 40A- 3Pole



Dimensions in inches (mm)